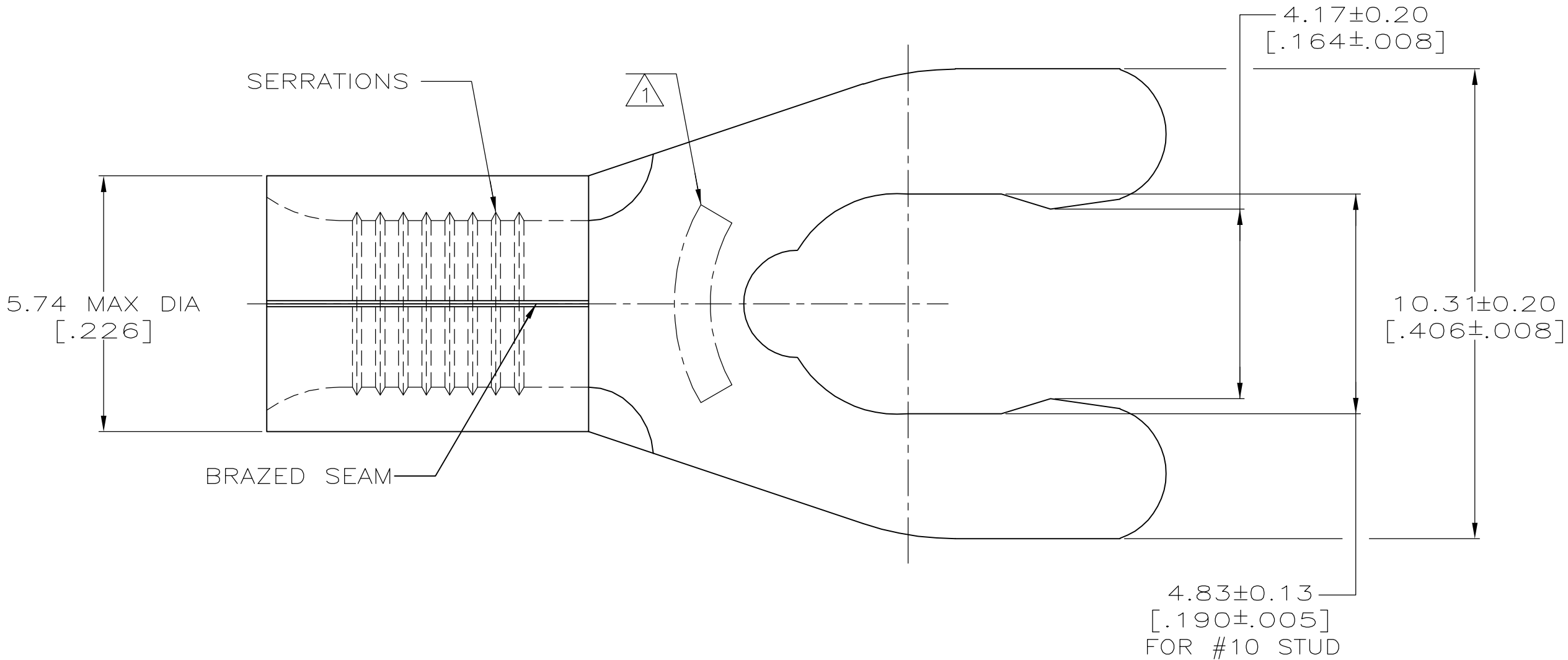


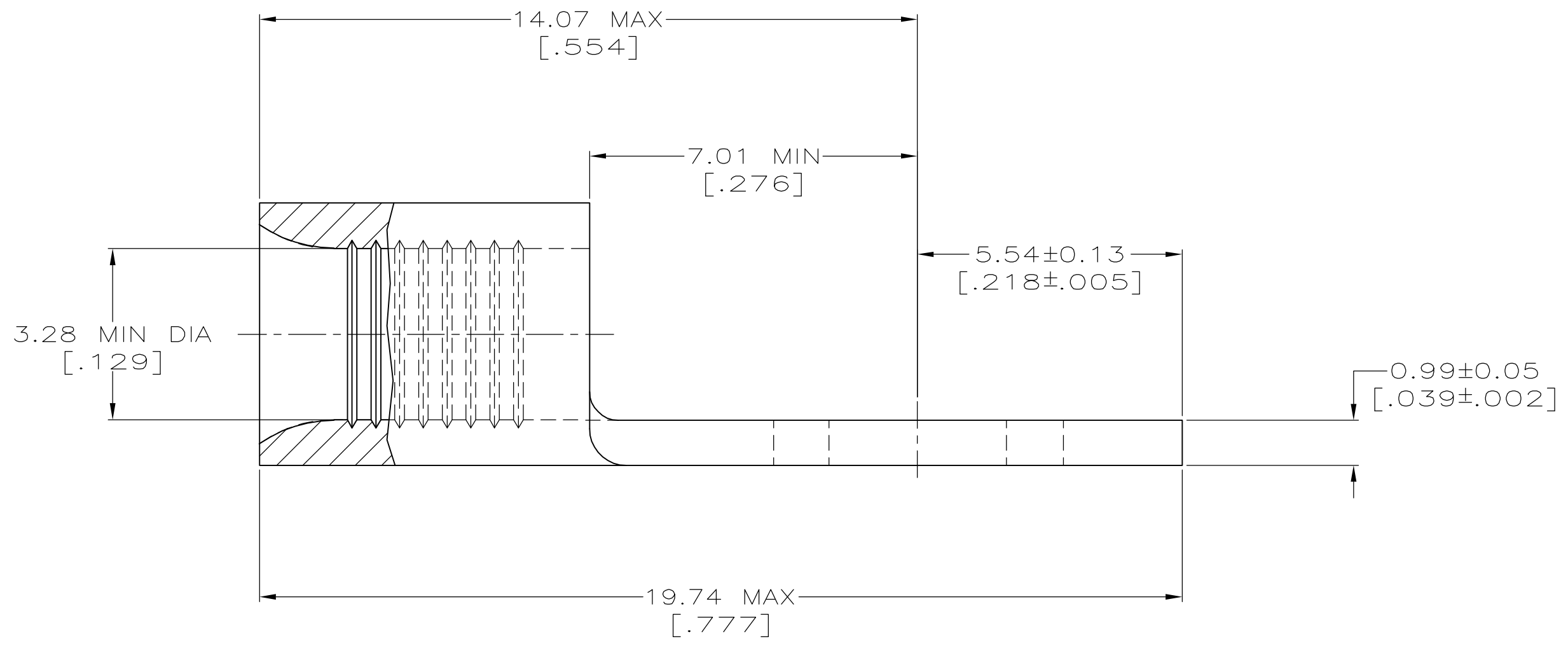
LOC	DIST	P	F	ZONE	LTR	DESCRIPTION	DATE	APPD
G	14					D1 REV PER ECR 07-006018	20MAR07	JR

**METRIC**  
 DIMENSIONS LISTED IN mm [ INCHES ]



<b>AMP</b> WIRE RANGE	E13288 Listed
12-10 AWG SOLID OR STRANDED	12-10 AWG STRANDED
LR7189 Certified	MILITARY P/N AND CLASS
12-10 AWG SOLID OR STRANDED	NOT APPLICABLE

STAMP 10S AMP 12-10\* APPROX AS SHOWN  
 10S INDICATES STUD SIZE



50	LOOSE PIECE, BOX SPECIAL (NO WINDOW)	8-53128-5
50	LOOSE PIECE, BOX	8-53128-2
2500	ON TAPE	53128-2
----	LOOSE PIECE	53128-1
QUANTITY	PACKAGING TYPE	PART NO

**AMP INCORPORATED  
 CUSTOMER SERVICE SYSTEMS**

MAX RECOMMENDED OPERATING TEMPERATURE:  
 170° C MAX

VOLTAGE RATING:  
 NOT APPLICABLE

WIRE CROSS SECTIONAL AREA RANGE:  
 2.62-6.64mm<sup>2</sup> [5,180-13,100] CIR MILS  
 SOLID OR STRANDED

DO NOT SCALE PRINT. UNLESS SPECIFIED  
 DIMENSIONS IN mm [INCHES]—  
 TOLERANCES ON :  
 2 PLC DEC ± -  
 3 PLC DEC ± -  
 ANGLES ± -

MATERIAL  
 PHOSPHOR BRONZE  
 PER ASTM B-103  
 ANNEALED

FINISH  
 TIN PLATE  
 0.00254 [.000100] MIN  
 THK PER MIL-T-10727

DR 3-29-93  
 TA BRINKMAN

CHK 3-29-93  
 DA PATTERSON

APPD 3-29-93  
 DE MILLER

APPD 3-29-93  
 JL MECKLEY

PRODUCT SPEC  
 -

APPLICATION SPEC  
 -

WEIGHT  
 -

**AMP** AMP Incorporated  
 Harrisburg, PA 17105-3608

NAME  
 TERMINAL, SHORT  
 SPRING SPADE, SOLISTRAND™

SIZE 00779 DRAWING NO 53128

SCALE 10:1 SHEET 10F 1

FOR ADDITIONAL PRODUCT INFORMATION OR COPIES OF DRAWINGS AND TECHNICAL DOCUMENTS	PRODUCT INFORMATION CENTER 1-800-522-6752
FOR APPLICATION TOOLING INFORMATION	TOOLING ASSISTANCE CENTER 1-800-722-1111
FOR ORDER ENTRY	1-800-526-5142